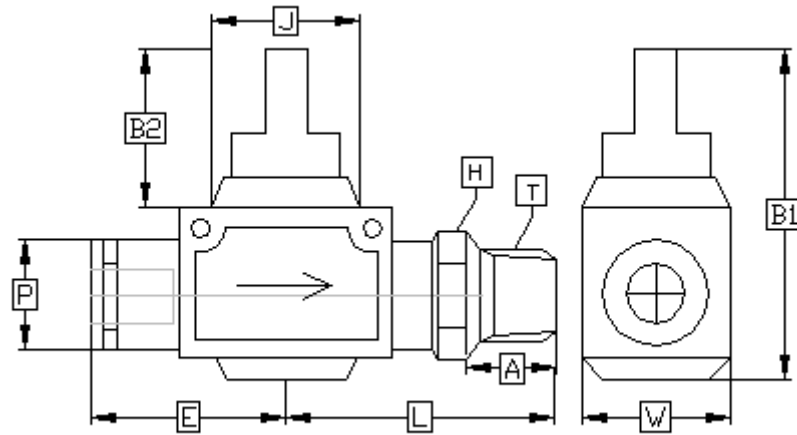


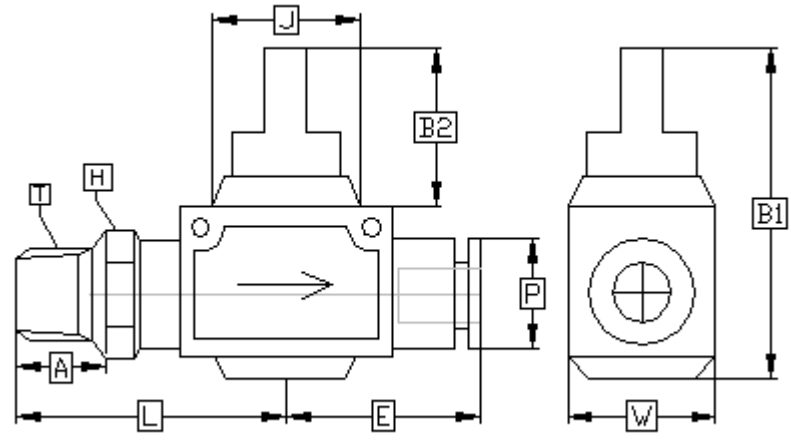
Model IV, OV, PV, UV Valve Dimensions:

Dimensions for Reference Use Only: Imperial fittings in Inch, Metric fittings in mm, U.S.O.



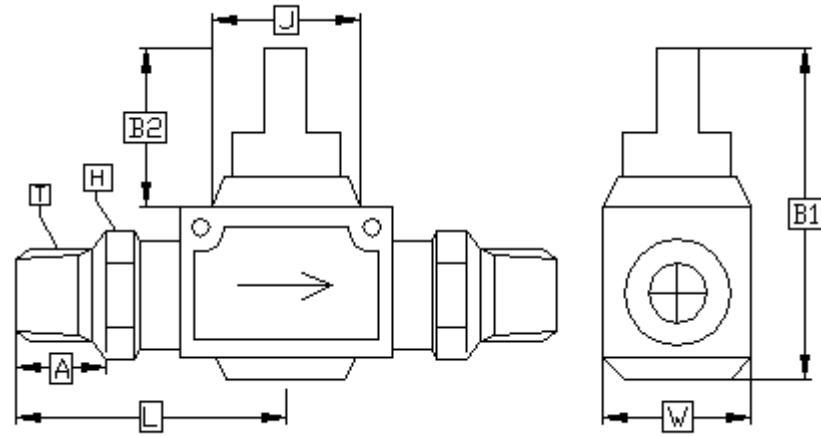
Vented Shut Off Inlet Valve

MODEL	D (mm)	T	A	C	E	H	L	P
IV 01-06	6	R1/8	0.31	0.63	0.99	0.55	1.30	0.49
IV 01-08	8	R1/8	0.31	0.73	1.09	0.55	1.30	0.57
IV 02-06	6	R1/4	0.43	0.63	0.99	0.55	1.46	0.49
IV 02-08	8	R1/4	0.43	0.73	1.09	0.55	1.46	0.57
IV 02-10	10	R1/4	0.43	0.83	1.24	0.67	1.61	0.69
IV 02-12	12	R1/4	0.43	0.89	1.35	0.67	1.61	0.83
IV 03-06	6	R3/8	0.47	0.63	0.99	0.67	1.50	0.49
IV 03-08	8	R3/8	0.47	0.73	1.09	0.67	1.46	0.57
IV 03-10	10	R3/8	0.47	0.83	1.24	0.67	1.65	0.69
IV 03-12	12	R3/8	0.47	0.89	1.35	0.67	1.65	0.83
IV 04-10	10	R1/2	0.59	0.83	1.24	0.83	1.76	0.69
IV 04-12	12	R1/2	0.59	0.89	1.35	0.83	1.76	0.83



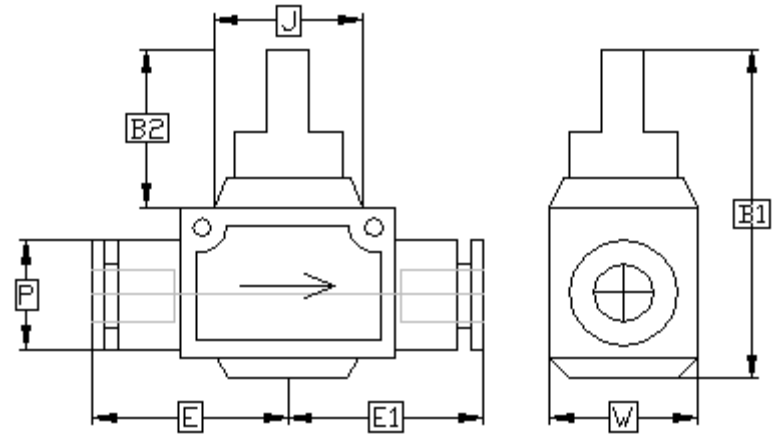
Vented Shut Off Outlet Valve

MODEL	D (mm)	T	A	C	E	H	L	P
OV 06-01	6	R1/8	0.31	0.63	0.99	0.55	1.30	0.49
OV 06-02	6	R1/4	0.43	0.63	0.99	0.55	1.46	0.49
OV 06-03	6	R3/8	0.47	0.63	0.99	0.67	1.50	0.49
OV 08-01	8	R1/8	0.31	0.73	1.09	0.55	1.30	0.57
OV 08-02	8	R1/4	0.43	0.73	1.09	0.55	1.46	0.57
OV 08-03	8	R3/8	0.47	0.73	1.09	0.67	1.50	0.57
OV 10-02	10	R1/4	0.43	0.83	1.24	0.67	1.61	0.69
OV 10-03	10	R3/8	0.47	0.83	1.24	0.67	1.65	0.69
OV 10-04	10	R1/2	0.59	0.83	1.24	0.83	1.76	0.69
OV12-02	12	R1/4	0.43	0.89	1.35	0.67	1.61	0.83
OV 12-03	12	R3/8	0.47	0.89	1.35	0.67	1.65	0.83
OV 12-04	12	R1/2	0.59	0.89	1.35	0.83	1.76	0.83



Vented Shut Off Plug Valve

MODEL	T1	T2	A1	A2	H1	H2	L1	L2
PV 01-01	R1/8	R1/8	0.31	0.31	0.55	0.55	1.30	1.30
PV 02-01	R1/4	R1/8	0.43	0.31	0.55	0.55	1.46	1.30
PV 02-02	R1/4	R1/4	0.43	0.43	0.55	0.55	1.46	1.46
PV 03-02	R3/8	R1/4	0.47	0.43	0.67	0.67	1.65	1.61
PV 03-03	R3/8	R3/8	0.47	0.47	0.67	0.67	1.65	1.65
PV 04-03	R1/2	R3/8	0.59	0.47	0.83	0.67	1.77	1.65
PV 04-04	R1/2	R1/2	0.59	0.59	0.83	0.83	1.77	1.77



Vented Shut Off Union Valve

MODEL	D1 (mm)	D2 (mm)	C1	C2	E	E1	ØP1	ØP2
UV 06-06	6	6	0.67	0.67	0.99	1.00	0.49	0.49
UV 08-06	8	6	0.73	0.67	1.09	0.99	0.57	0.49
UV 08-08	8	8	0.73	0.73	1.09	1.09	0.57	0.57
UV 10-10	10	10	0.83	0.83	1.24	1.24	0.69	0.69
UV 12-10	12	10	0.89	0.83	1.35	1.24	0.83	0.69
UV 12-12	12	12	0.89	0.89	1.35	1.35	0.83	0.83